

Write five other iterated integrals that are equal to the stated integral



Outer:  $dy$

LL:  $y = 0$

UL:  $y = 1$

middle:  $dx$

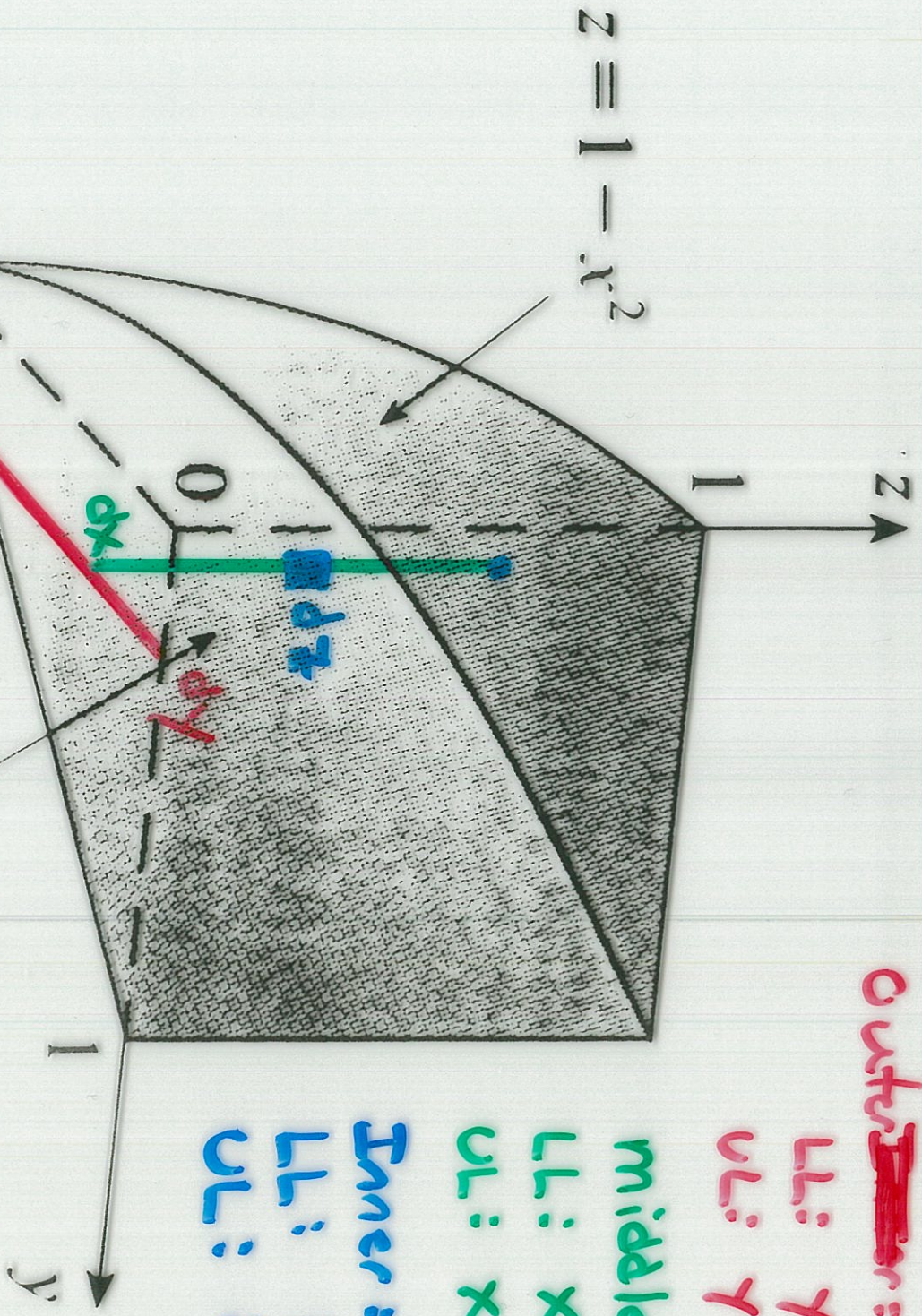
LL:  $x = 0$

UL:  $x = 1 - y$

Inner:  $dz$

LL:  $z = 0$

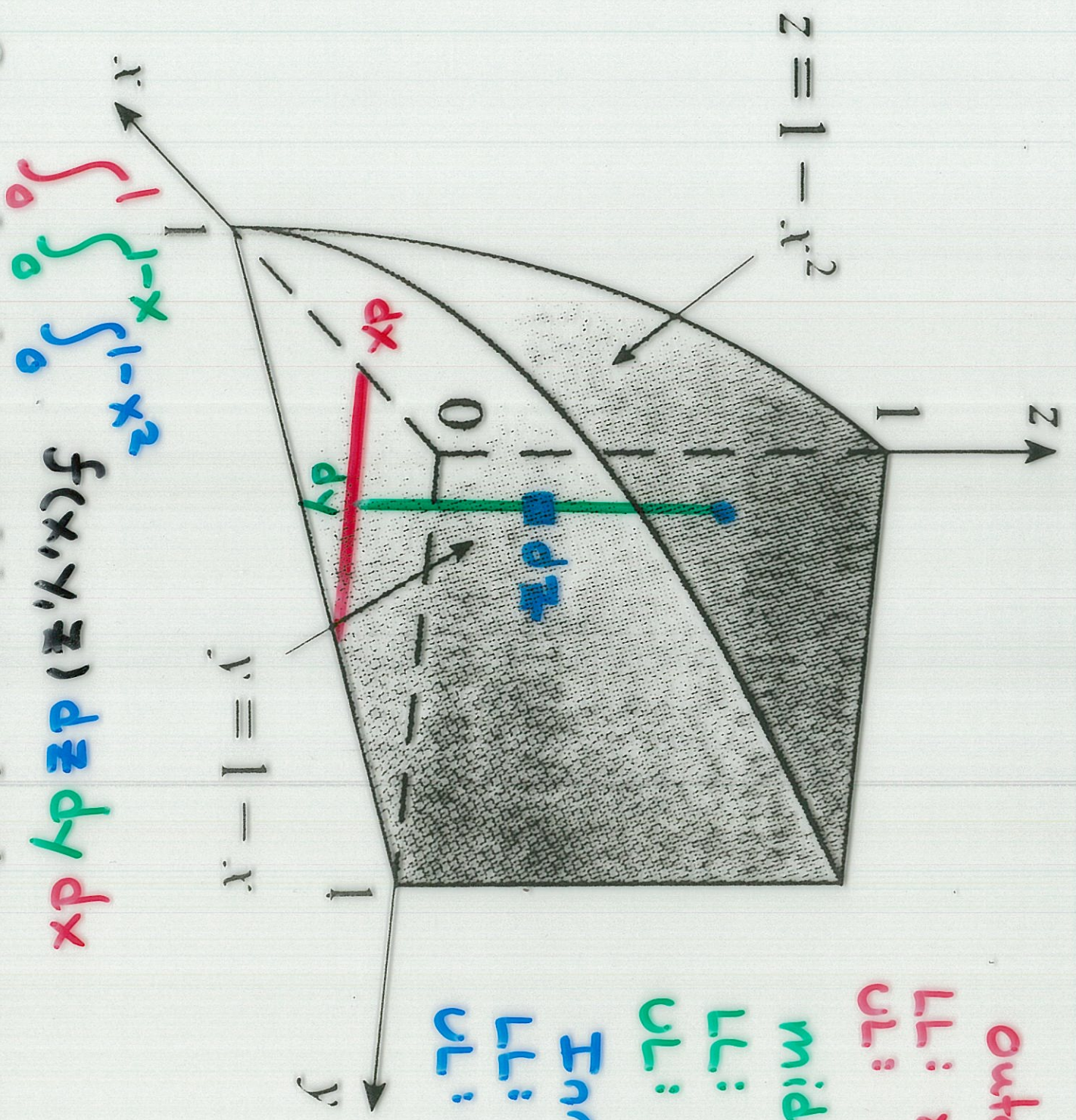
UL:  $z = 1 - x^2$



$$\int_0^1 \int_0^{1-y} \int_0^{1-x^2} f(x,y,z) dz dx dy$$

Write five other iterated integrals that are equal to the  
red integral





Outer:  $dx$   
 LL:  $x=0$   
 UL:  $x=1$

Middle:  $dy$   
 LL:  $y=0$   
 UL:  $y=1-x$

Inner:  $dz$   
 LL:  $z=0$   
 UL:  $z=1-x^2$

$$\int_0^1 \int_0^{1-x} \int_0^{1-x^2} f(x,y,z) dz dy dx$$

Write five other iterated integrals that are equal to the

iterated integral